

JP Avionics

Annunciators

Datasheet

Annunciators are designed to be meet CS-23 and CS-VLA requirements. Modern LED technology ensures high durability combined with great visibility even during bright sunlight conditions.

VOLTAGE WARNING LIGHT



This voltage warning light flashes quickly during high voltage situations. slow flashes indicate a low voltage condition. When the warning can be acknowledged to stop the flashing action. The warning light has a self test function and a press to test function. Meets all requirements for CS-23, CS-VLA, UK CAA CAP 747 GR6 and UK CAA CAP 562 leaflet 11-10 for such a warning light. Approved by EASA for installation in approx. 800 aircraft type.

VWL-12
VWL-24

VOLTAGE WARNING LIGHT 12 VOLT
VOLTAGE WARNING LIGHT 24 VOLT

CABIN ALTITUDE WARNING LIGHT



This warning light flashes when the cabin altitude exceed 10.000 feet. The annunciator features an internal cabin pressure sensor.

CAW-12
CAW-24

CABIN ALTITUDE WARNING LIGHT 12 VOLT
CABIN ALTITUDE WARNING LIGHT 24 VOLT

RED ANNUNCIATORS



Add -12 for 12 Volt or -24 for 24 Volt to the P/N. Add F to P/N for flashing annunciator. Standard is with press to test function and without flashing.

ANN-RED01
ANN-RED02
ANN-RED03
ANN-RED04

MASTER WARNING
OIL PRESSURE
LH OIL PRESS
RH OIL PRESS

ANN-RED05
ANN-RED06
ANN-RED07
ANN-RED08
ANN-RED09
ANN-RED10
ANN-RED11
ANN-RED12
ANN-RED13
ANN-RED14
ANN-RED15
ANN-RED16
ANN-RED17
ANN-RED18
ANN-RED19
ANN-RED20
ANN-RED21

STARTER ENGAGED
LH STARTER ENGAGED
RH STARTER ENGAGED
GEAR UNSAFE
LH FUEL
RH FUEL
VACUUM
LH ALT
RH ALT
TRIM FAIL
CABIN DOOR
EMERGENCY DOOR
CARGO DOOR
CARGO POD
STALL
CHIP DETECT
DOOR NOT LOCKED

YELLOW ANNUNCIATORS



Add -12 for 12 Volt or -24 for 24 Volt to the P/N. Add F to P/N for flashing annunciator. Standard is with press to test function and without flashing.

ANN-YEL01
ANN-YEL02
ANN-YEL03
ANN-YEL04
ANN-YEL05
ANN-YEL06
ANN-YEL07
ANN-YEL08

MASTER CAUTION
ALTERNATE AIR
ALTERNATOR OUT
GENERATOR OUT
FUEL PUMP
HYDRAULIC PUMP
PITOT HEAT
ECU

GREEN ANNUNCIATORS



Add -12 for 12 Volt or -24 for 24 Volt to the P/N. Add F to P/N for flashing annunciator. Standard is with press to test function and without flashing.

ANN-GRN01
ANN-GRN02

GEAR DOWN
EXTERNAL POWER

Aviation Solutions & Electronics Design

www.jp-avionics.com

JP Avionics

Annunciators

Datasheet

BLUE ANNUNCIATORS

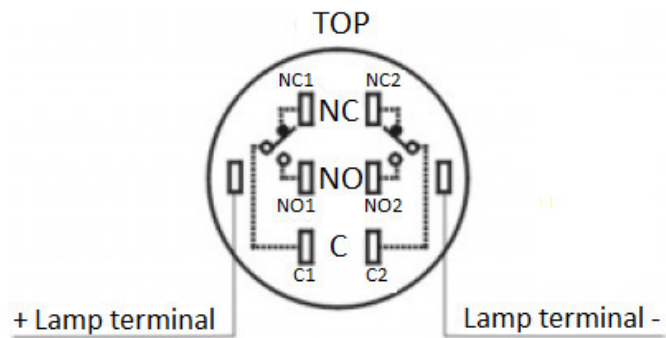
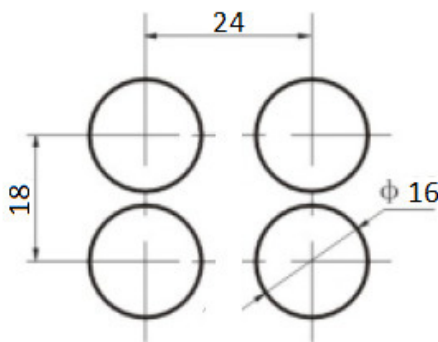
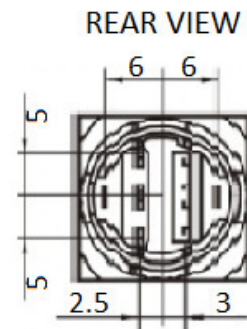
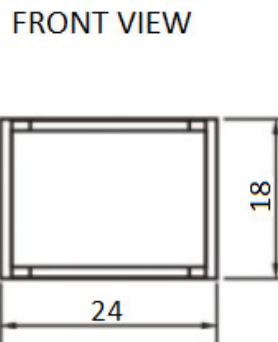
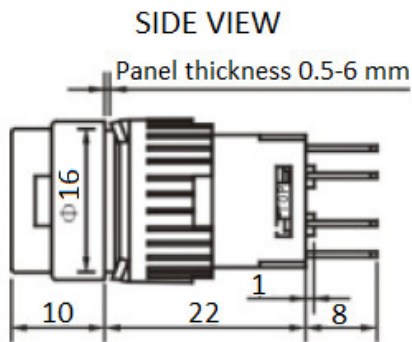


Add -12 for 12 Volt or -24 for 24 Volt to the P/N. Add F to P/N for flashing annunciator. Standard is with press to test function and without flashing.

ANN-BLU01
ANN-BLU02
ANN-BLU03
ANN-BLU04
ANN-BLU05
ANN-BLU06

DE-ICE
TAIL DE-ICE
PROP DE-ICE
WING DE-ICE
LANDING LIGHT
TAXI LIGHT

DIMENSIONS



CONNECTIONS

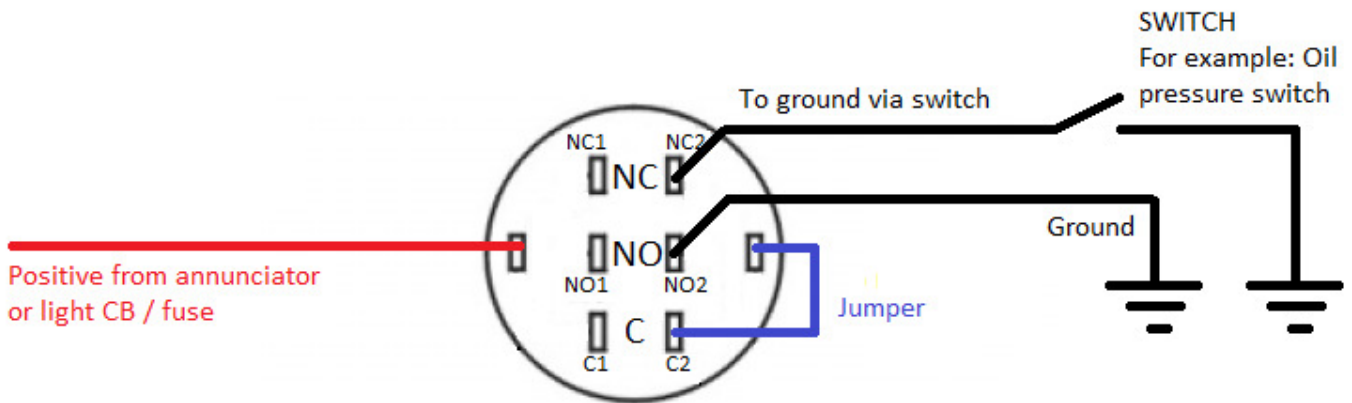
Use figure above for minimum dimensions when using multiple JP-Avionics annunciators installed in a matrix.

Aviation Solutions & Electronics Design

www.jp-avionics.com

SCHEMATIC DIAGRAM

Use diagram below for non flashing annunciator with press to test function and negative switching (this is circuit is most commonly used)



Use diagram below for non flashing annunciator with press to test function and positive input switching

Positive from switch or contactor (for example: external power contactor)

